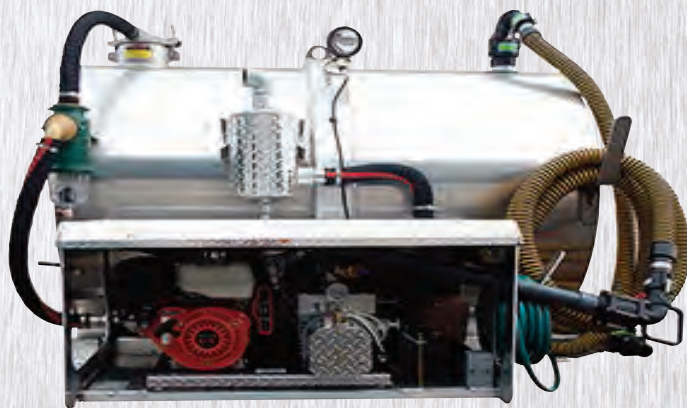


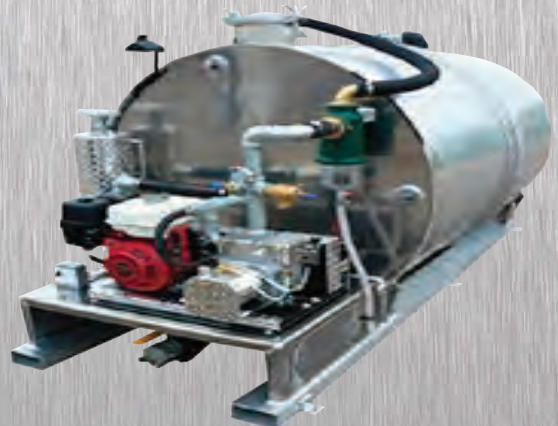
# ***THE SLIDE IN WAREHOUSE***

## **Slide In Vacuum Tank Price List**



**48 Standard Models**  
300, 450, 600, 800, 995,  
1200 & 1500 Gallon Capacities

- Rear Engine
- Side Engine
- Side Engine Transverse



# **THE SLIDE IN WAREHOUSE**

## **SC Model Slide-In Vacuum Tank Standard Features - 2 -**

SC Series - Rear Engine.....	- 3 -
SC Series – Side Engine, Conventional Mount .....	- 4 -
SC Series – Side Engine, Transverse.....	- 5 -
SC Series Options.....	- 6 -

## **FD Slide-In Vacuum Tank Standard Features.....-7-**

FD Series-Rear Engine.....	-8-
FD Series- Side Engine.....	-9-
FD Series Options.....	-10-

7717 W. 6<sup>th</sup> Ave Unit E Lakewood, CO. 80214 303-789-9440 Fax 303-459-4439  
[www.slideinwarehouse.com](http://www.slideinwarehouse.com)

800-445-4892

- 1 -

# **THE SLIDE IN WAREHOUSE**

## SC Series Slide-In Vacuum Tank Standard Features

- 5454-H32 Marine grade mill finish aluminum
- 3 Pump locations to choose from
  - RE – Pump located on rear (end) side of tank
  - SE – Pump located on side of tank and set up for conventional mount
  - TV – Pump located on side of tank and set up for transverse mount
- 8" X 2" NVE low profile primary with stainless steel ball and cage
- 3" Discharge with 3" full port poly ball valve, male camlock and dust cap
- 3" Top nipple with 2" adapter for Tigertail Suction hose
- (2) 2" Sight eyes in waste compartment
- Half-moon style hose hook suction hose
- Hose hook for wash down hose
- (1) Work light
- Full length fork lift pockets
- **Conde Super 6 (70 CFM) vacuum/pressure pump, other pumps on option page**
- Shurflo 12v wash down pump, 3.0 GPM
- 2" MZ plastic secondary
- 2" Diamond plate aluminum oil trap
- 2" Bucket fill with 2" straight male camlock fitting
- 2" x 30' Tigertail suction hose with 2" full port 90-degree valve and 30" schedule 80 PVC wand
- 5/8" x 50' wash down hose with spray nozzle
- 12v battery
- All units come with a kit that contains: (1) 2" 90 male camlock for option to replace straight camlock on bucket fill, (20') of red 6-gauge battery cable for option to wire battery on unit to truck battery, (1) 2" female camlock to garden hose adapter for fresh water fill through bucket fill

### Notes:

1) Any SC single compartment model deletes the following items: Wash down hose and spray nozzle, 12v wash down pump, bucket fill, garden hose hook, sight tube, vent, strainer, fresh plumbing.

2) Transverse, side engine tanks come standard with dual service prep by including a right-side hose hooks for both suction hose and washdown hose, 3" top nipple with cap for waste inlet. The base model does not include any hoses and are add-ons (see options in transverse section)

7717 W. 6<sup>th</sup> Ave Unit E Lakewood, CO. 80214 303-789-9440 Fax 303-459-4439  
[www.slideinwarehouse.com](http://www.slideinwarehouse.com)

800-445-4892

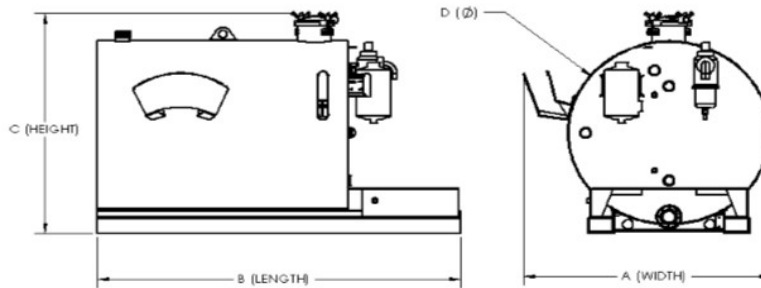
- 2 -

# THE SLIDE IN WAREHOUSE

## SC Series - Rear Engine

Model	Capacity	Description	Net Price
SC300-1C-RE	300	300 Gallon, single comp, standard features	\$8,195
SC300-2C-RE	300	200 Waste x 100 fresh, two comp, standard features	\$8,495
SC450-1C-RE	450	450 Gallon, single comp, standard features	\$8,395
SC450-2C-RE	450	300 Waste x 150 fresh, two comp, standard features	\$8,695
SC600-1C-RE	600	600 Gallon, Single Comp, SHORT	\$9,595
SC600-2C-RE	600	400 Waste, 200 Fresh, Two comp SHORT	\$9,895
BR600-1C-RE	600	600 Gallon, single comp, LONG	\$9,395
BR600-2C-RE	600	400 Waste x 200 fresh, two comp, LONG	\$9,695
SC800-1C-RE	800	800 Gallon, single comp, standard features	\$10,495
SC800-2C-RE	800	540 Waste x 260 fresh, two comp, standard features	\$10,795
BR995-1C-RE	995	995 Gallon, single comp, standard features	\$13,695
BR995-2C-RE	995	670 Waste x 325 Fresh, two comp, standard features	\$13,995

All SC Series, rear engine models are kept in stock both with and without pumps.



## SC Series – Side Engine, Conventional Mount

Capacity	A	B	C	D	Weight (Super 6)
300 Gallon	57"	75"	53"	44"	795 lbs.
300 Shipping	60"	77"	59"	X	1,100 lbs.
450 Gallon	60"	87"	58"	48"	965 lbs.
450 Shipping	65"	89"	64"	X	1,225 lbs.
600 Gallon S	66"	99"	61"	50"	1,085 lbs.
600 Gallon L	64"	113"	57"	46"	1,100 lbs.
600 Shipping	69"	102"	67"	X	1,400 lbs.
800 Gallon	69"	111"	61"	54"	1,235 lbs.
800 Shipping	73"	113"	67"	X	1,650 lbs.

7717 W. 6<sup>th</sup> Ave Unit E Lakewood, CO. 80214 303-789-9440 Fax 303-459-4439

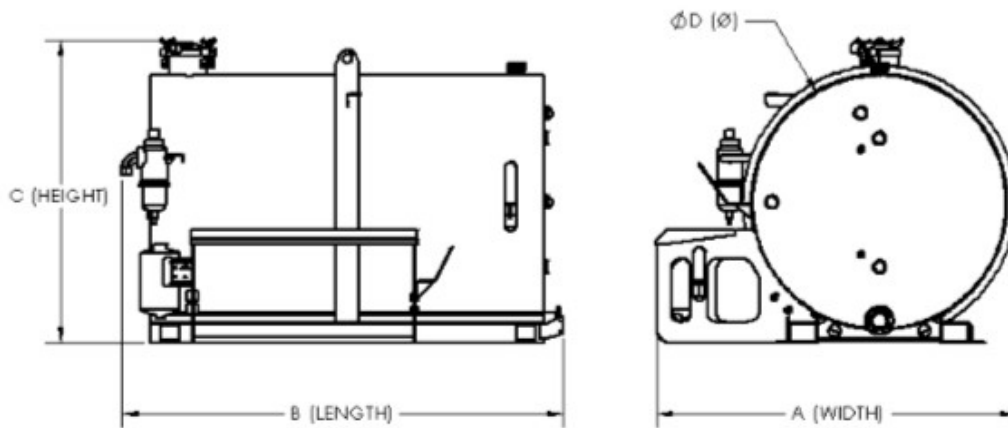
[www.slideinwarehouse.com](http://www.slideinwarehouse.com)

800-445-4892

- 3 -

# THE SLIDE IN WAREHOUSE

Model	Capacity	Description	Net Price
SC600-1C-SE	600	600 Gallon, single comp, standard features	\$10,900
SC600-2C-SE	600	400 Waste x 200 fresh, two comp, standard features	\$11,250
SC800-1C-SE	800	800 Gallon, single comp, standard features	\$11,900
SC800-2C-SE	800	540 Waste x 260 fresh, two comp, standard features	\$12,250



Capacity	A	B	C	D	Weight (Super 6)
600 Gallon	75"	76"	61"	50"	1,090 lbs.
600 Shipping	77"	78"	66"	X	1,400 lbs.
800 Gallon	77"	88"	65"	54"	1,340 lbs.
800 Shipping	79"	90"	69"	x	1,650 lbs.

7717 W. 6<sup>th</sup> Ave Unit E Lakewood, CO. 80214 303-789-9440 Fax 303-459-4439  
[www.slideinwarehouse.com](http://www.slideinwarehouse.com)

800-445-4892

- 4 -

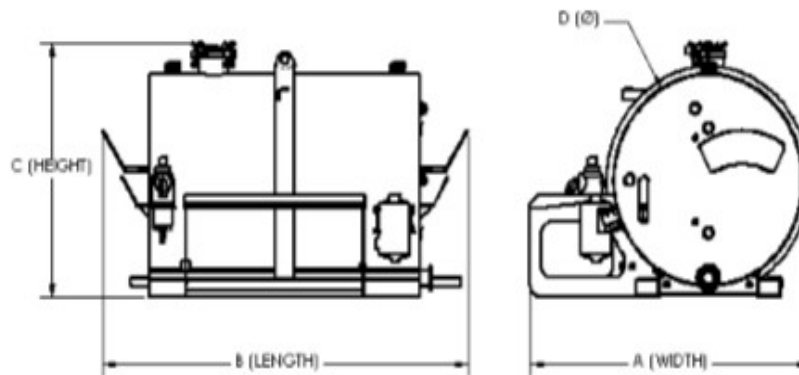
# THE SLIDE IN WAREHOUSE

## SC Series – Side Engine, Transverse

Note 2 on the "SC Series Slide-In Vacuum Tank Standard Features" pertains to these models.

Model	Capacity	Description	Net Price
SC300-1C-TV	300	300 Gallon, single comp, standard features	\$9,995
SC300-2C-TV	300	200 Waste x 100 fresh, two comp, standard features	\$10,350
SC450-1C-TV	450	450 Gallon, single comp, standard features	\$10,650
SC450-2C-TV	450	300 Waste x 150 fresh, two comp, standard features	\$10,950
SC600-1C-TV	600	600 Gallon, single comp, standard features	\$11,150
SC600-2C-TV	600	400 Waste x 200 fresh, two comp, standard features	\$11,450
SC700-1C-TV	700	700 Gallon, single comp, standard features	\$11,995
SC700-2C-TV	700	480 Waste x 220 fresh, two comp, standard features	\$12,295

As with all tank models, some vacuum pumps may extend outside the pump stand. The transverse models should be especially paid attention to as this may interfere with objects that will sit behind the tank on the truck.



	A	B	C	D	Weight (Super 6)
300 Gallon	65"	65"	55"	44"	800 lbs.
300 Shipping	67"	67"	60"	X	1,100 lbs.
450 Gallon	72"	86"	59"	48"	965 lbs.
450 Shipping	74"	88"	64"	X	1,225 lbs.
600 Gallon	75"	98"	61"	50"	1,090 lbs.
600 Shipping	77"	100"	66"	X	1,400 lbs.
700 Gallon	77"	96"	65"	54"	1,340 lbs.
700 Shipping	79"	98"	70"	X	1,650 lbs.

7717 W. 6<sup>th</sup> Ave Unit E Lakewood, CO. 80214 303-789-9440 Fax 303-459-4439  
[www.slideinwarehouse.com](http://www.slideinwarehouse.com)

800-445-4892

- 5 -

# THE SLIDE IN WAREHOUSE

## Standard Options – SC Series

Vacuum Pump Options – In order of size (CFM)	
Description	Price
<b>Gas Motor Options</b>	
Masport HXL2V (76 CFM) direct driven by Honda 5.5 HP gas motor, electric start	\$0
Masport HXL3V (106 CFM) direct driven by Honda 9 HP gas motor, electric start	\$1,000
Conde SDS 6 (115 CFM) belt driven by Honda 9 HP gas motor, electric start	\$800
Conde SDS 6 (115 CFM) direct driven by Honda 9 HP gas motor, electric start	\$1,100
Conde SDS 12 (180 CFM) belt driven by Honda 13 HP gas motor, electric start	\$1,650
<b>Diesel Motor Options</b>	
Conde Super 6 (70 CFM) belt driven by 6 HP Hatz diesel motor, electric start	\$3,200
Conde SDS 6 (115 CFM) belt driven by 10 HP Hatz diesel motor, electric start	\$3,400
Conde SDS 12 (180 CFM) belt driven by 10 HP Hatz diesel motor, electric start	\$4,000
<b>Suction Hose Options</b>	
2" x 50' Tigertail hose with right angle valve and wand	\$70
<b>Suction Wand Options</b>	
2" full port straight valve with 30" schedule 80 PVC wand (replaces 90° version)	\$0
<b>Water Pump Options</b>	
Change to 12v Shurflo Powertwin – (6.25 GPM Open flow, 45 PSI Demand switch)	\$160
<b>Work Light Options</b>	
Replace incandescent with LED	\$40
<b>Misc. Options</b>	
Delete all work ready components from tank – Tank would still include fresh sight tube, waste sight eyes, and fresh vent (to ensure it doesn't get capped or plugged). Everything else will be deleted. Deleted item summary: Vacuum pump, water pump, wash-down hose, entire inlet assembly from first poly fitting on top of tank to wand on end of Tigertail, discharge would end in aluminum TTMA, fresh discharge ending in 2" coupler, no electrical components. **If customer wants additional components as part of order you must order the base tank with this option and then line item each individual item on your PO to ensure accuracy of what the customer does and does not want. All additional parts will be shipped loose with nothing pre-installed, no exceptions**	2 Comp. Tank \$(-2,500)  1 Comp. Tank \$(-2,200)
Make Dual Service on Transverse Model Only – (Includes 30' x 2" Tigertail, right angle valve and wand, 5/8 x 50' washdown hose with spray nozzle)	\$350

7717 W. 6<sup>th</sup> Ave Unit E Lakewood, CO. 80214 303-789-9440 Fax 303-459-4439  
[www.slideinwarehouse.com](http://www.slideinwarehouse.com)

800-445-4892

- 6 -

# **THE SLIDE IN WAREHOUSE**

## FD Series Slide-In Vacuum Tank Standard Features

- 5454-H32 Marine grade mill finish aluminum
- 2 configurations to choose from:
  - "RE" – Pump located on rear (end) side of tank
  - "SE" – Pump located on side of tank and set up for conventional mount
- 20" X 2" Hose connection NVE low profile primary with stainless steel ball and cage
- 3" Discharge with 3" full port poly ball valve, male camlock and dust cap
- 3" Top nipple with 2" adapter for Tigertail Suction hose
- (2) 5" Sight eyes in rear Head
- Half-moon style hose hook suction hose
- Hose hook for wash down hose (on two compartment models only)
- (1) Work light
- Full length fork lift pockets
- Conde Super 6 (70 CFM) vacuum/pressure pump, belt drive
- Shurflo 12v wash down pump, 3.0 GPM, 45 PSI
- 2" MZ plastic secondary
- 2" Diamond plate aluminum oil trap
- 2" Bucket fill with 2" straight male camlock fitting
- 2" x 30' Tigertail suction hose with 2" full port 90-degree valve with 30" schedule 80 PVC wand
- 5/8" x 50' wash down hose with spray nozzle
- 12v battery
- All units come with a kit that contains: (1) 2" 90 male camlock for option to replace straight camlock on bucket fill, (20') of red 6-gauge battery cable for option to wire battery on unit to truck battery, (1) 2" female camlock to garden hose adapter for fresh water fill through bucket fill

### Notes:

1) Any "FD" single compartment model deletes the following items: Wash down hose and spray nozzle, 12v wash down pump, bucket fill, garden hose hook, sight tube, vent, strainer, fresh plumbing. Some models will have deletion of internal bulk head, other models will have bulk head replaced with baffle.

7717 W. 6<sup>th</sup> Ave Unit E Lakewood, CO. 80214 303-789-9440 Fax 303-459-4439  
[www.slideinwarehouse.com](http://www.slideinwarehouse.com)

800-445-4892

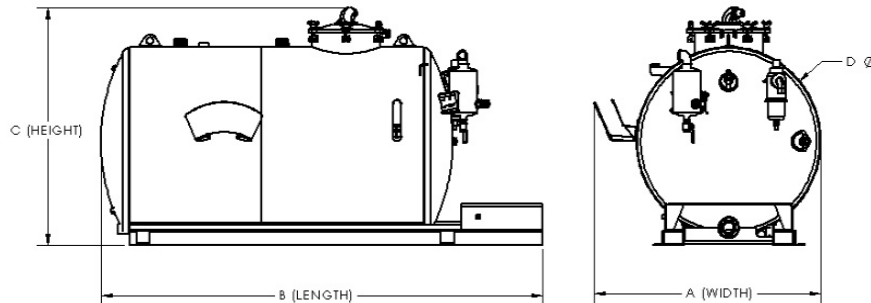
- 7 -



# THE SLIDE IN WAREHOUSE

## FD Series - Rear Engine

Model	Capacity	Description	Price
FD300-1C-RE	300	300 Gallon, single comp, standard features	\$10,100
FD300-2C-RE	300	200 Waste x 100 fresh, two comp, standard features	\$11,150
FD435-1C-RE	435	435 Gallon, single comp, standard features	\$10,600
FD435-2C-RE	435	300 Waste x 135 fresh, two comp, standard features	\$11,800
FD600-1C-RE	600	600 Gallon, single comp, standard features	\$11,250
FD600-2C-RE	600	400 Waste x 200 fresh, two comp, standard features	\$12,250
FD800-1C-RE	800	800 Gallon, single comp, standard features	\$12,200
FD800-2C-RE	800	500 Waste x 300 fresh, two comp, standard features	\$12,950
FD950-1C-RE	950	950 Gallon, single comp, standard features	\$13,950
FD950-2C-RE	950	650 Waste x 300 fresh, two comp, standard features	\$14,950
FD1200-1C-RE	1200	1200 Gallon, single comp, standard features	\$15,150
FD1200-2C-RE	1200	900 Waste x 300 fresh, two comp, standard features	\$15,950



Capacity	A		B		C		D	Weight (Super 6)	
	unit	shipping	unit	shipping	unit	shipping		Diam.	Unit
300 Gallon	56"	59"	87"	91"	55"	60"	42"	550 lbs.	1000 lbs.
435 Gallon	59"	64"	91"	95"	63"	67"	48"	630 lbs.	1080 lbs.
600 Gallon	67"	72"	93"	97"	69"	73"	54"	695 lbs.	1145 lbs.
800 Gallon	67"	72"	116"	120"	70"	73"	54"	820 lbs.	1270 lbs.
1000 Gallon	67"	72"	140"	135"	70"	73"	54"	900 lbs.	1350 lbs.
1200 Gallon	67"	72"	162"	144"	70"	73"	54"	960 lbs.	1410 lbs.

7717 W. 6<sup>th</sup> Ave Unit E Lakewood, CO. 80214 303-789-9440 Fax 303-459-4439

[www.slideinwarehouse.com](http://www.slideinwarehouse.com)

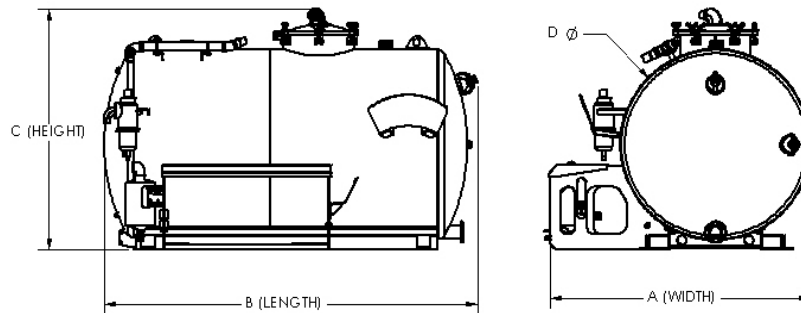
800-445-4892

- 8 -

# THE SLIDE IN WAREHOUSE

## FD Series – Side Engine, Conventional Mount

Model	Capacity	Description	Net Price
LP600-1C-SE	600	600 Gallon Single Comp <b>LOW PROFILE</b> , standard features	\$15,750
LP600-2C-SE	600	400 Waste X 200 Fresh <b>LOW PROFILE</b> , standard features	\$16,750
FD600-1C-SE	600	600 Gallon, single comp, standard features	\$12,995
FD600-2C-SE	600	400 Waste x 200 fresh, two comp, standard features	\$13,995
FD800S-1C-SE	800	800 Gallon, single comp, standard features	\$13,750
FD800-2C-SE	800	550 Waste x 250 fresh, two comp, standard features	\$14,750
FD950-1C-SE	950	950 Gallon, single comp, standard features	\$15,495
FD950-2C-SE	950	650 Waste x 300 fresh, two comp, standard features	\$15,895
FD1200-1C-SE	1200	1200 Gallon, single comp, Standard features	\$16,195
FD1200-2C-SE	1200	900 Waste x 300 fresh, two comp, standard features	\$16,795
FD1500-1C-SE	1500	1500 Gallon, Single comp, standard features	\$18,900
FD1500-2C-SE	1500	1100 Waste x 400 fresh, two comp, standard features	\$19,300



Capacity	A		B		C		D Diam.	Weight (Super 6) lbs.	
	unit	shipping	unit	shipping	unit	shipping		unit	shipping
600 Low Pro	64"	67"	114"	117"	46"	50"	42"	750 lbs.	1200 lbs.
600 Gallon	70"	73"	92"	95"	62"	67"	48"	700 lbs.	1150 lbs.
800 Gallon	75"	79"	90"	97"	70"	73"	54"	800 lbs.	1250 lbs.
950 Gallon	75"	79"	105"	112"	70"	73"	54"	850 lbs.	1300 lbs.
1200 Gallon	75"	79"	131"	138"	70"	73"	54"	1100 lbs.	1550 lbs.
1500 Gallon	75"	79"	162"	166"	70"	73"	54"	1400 lbs.	1900 lbs.

7717 W. 6<sup>th</sup> Ave Unit E Lakewood, CO. 80214 303-789-9440 Fax 303-459-4439

[www.slideinwarehouse.com](http://www.slideinwarehouse.com)

800-445-4892

- 9 -

# THE SLIDE IN WAREHOUSE

Standard Options – FD Series Rear Engine

Vacuum Pump Options – In order of size (CFM)	
Description	Price
<b>Gas Motor Options</b>	
Masport HXL2V (76 CFM) direct driven by Honda 5.5 HP gas motor, electric start	\$0
Masport HXL3V (106 CFM) direct driven by Honda 9 HP gas motor, electric start	\$1,000
Conde SDS 6 (115 CFM) belt driven by Honda 9 HP gas motor, electric start	\$800
Conde SDS 6 (115 CFM) direct driven by Honda 9 HP gas motor, electric start	\$1,100
Conde SDS 12 (180 CFM) belt driven by Honda 13 HP gas motor, electric start	\$1,650
<b>Diesel Motor Options</b>	
Conde Super 6 (70 CFM) belt driven by 6 HP Hatz diesel motor, electric start	\$3,200
Conde SDS 6 (115 CFM) belt driven by 10 HP Hatz diesel motor, electric start	\$3,400
Conde SDS 12 (180 CFM) belt driven by 10 HP Hatz diesel motor, electric start	\$4,000
<b>Suction Hose Options</b>	
2" x 50' Tigertail hose with right angle valve and wand	\$70
<b>Suction Wand Options</b>	
2" full port straight valve with 30" schedule 80 PVC wand (replaces 90° version)	\$0
<b>Water Pump Options</b>	
Change to 12v Shurflo Powertwin – (6.25 GPM Open flow, 45 PSI Demand switch)	\$160
<b>Work Light Options</b>	
Replace incandescent with LED	\$40
<b>Misc. Options</b>	
Delete all work ready components from tank – Tank would still include fresh sight tube, waste sight eyes, and fresh vent (to ensure it doesn't get capped or plugged). Everything else will be deleted. Deleted item summary: Vacuum pump, water pump, wash-down hose, entire inlet assembly from first poly fitting on top of tank to wand on end of Tigertail, discharge would end in aluminum TTMA, fresh discharge ending in 2" coupler, no electrical components. **If customer wants additional components as part of order you must order the base tank with this option and then line item each individual item on your PO to ensure accuracy of what the customer does and does not want. All additional parts will be shipped loose with nothing pre-installed, no exceptions**	2 Comp. Tank \$(-2,500)  1 Comp. Tank \$(-2,200)

7717 W. 6<sup>th</sup> Ave Unit E Lakewood, CO. 80214 303-789-9440 Fax 303-459-4439  
[www.slideinwarehouse.com](http://www.slideinwarehouse.com)

800-445-4892

- 10 -



# ***THE SLIDE IN WAREHOUSE***

## **Slide In Vacuum Tank Price List**

**888-445-4892**

**[www.slideinwarehouse.com](http://www.slideinwarehouse.com)**

7717 W. 6th Ave., Unit E, Lakewood, CO 80214